

Mast climbing work platform **Kosmos SC4000**

Kosmos SC4000 is a medium-weight mast climbing work platform. It is the perfect tool for any facade work that requires light or mid-class capacity, whether for new construction or restoration. With a load capacity of up to 4200 kg and a climbing rate of 6 meters per minute, the platform can be driven up to the height of 300 meters.



Kosmos SC4000

Properties

A RACK AND PINION DRIVEN Kosmos SC4000 mast climbing work platform is a medium-weight lifting machine and working platform – all in one package. Kosmos is designed for projects up to a height of 300 meters. With the standard installation the maximum height is 100 meters, but when special arrangements are used the mast height can be increased up to 300 meters in height.

SC4000 FEATURES TWO MODELS that offer different levels of performance to accommodate unique project needs and budget considerations. The platform can be configured as a single or twin mast machine which improves the ability to conform to an extensive range of building shapes.

STARTING FROM 4.2 METERS the single mast Kosmos can grow up to 13.7 meters in length. With two masts the platform length can be extended up to 31.4 meters. A single mast version of the SC4000 has a top capacity of 2000 kg. With a twin hinge set the single mast machine can be converted to a twin mast version, which can carry payloads up to 4200 kg.

Multi-Use

KOSMOS COMBINES LOW OWNERSHIP COSTS

with versatility, reliability, and safety. It is the ideal access solution for a wide variety of trades: glazing, EIFS, painting, roofing, caulking, restoration, inspection, cleaning, maintenance, etc.

It is suitable for either new construction or restoration. Compact and highly adaptable, the SC4000 offers platform extensions to achieve number of configurations that accommodate various facades.

Technological Excellence

KOSMOS' 1.6-METER WIDE PLATFORM provides enough space for workers to perform their job in comfort. Building facades are becoming more and more diverse and constrained, which has been challenging mast climber manufacturers. The Kosmos' modular structure allows lots of different set-ups. There is also a wide variety of accessories available that enables the platform to be aligned with different architectural configurations and shapes of the work site.

High Speed Reduces Set-Up Time

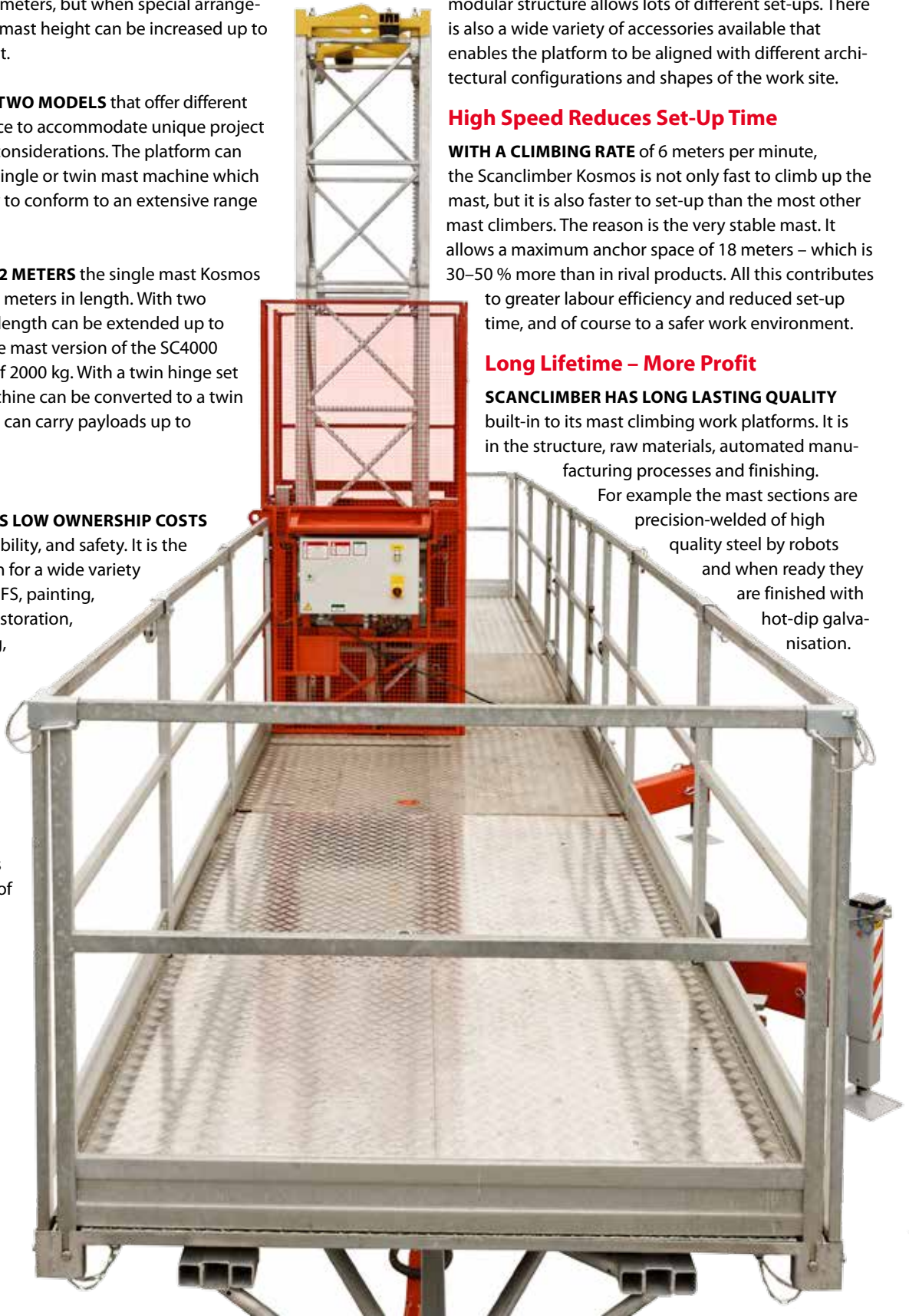
WITH A CLIMBING RATE of 6 meters per minute, the Scanclimber Kosmos is not only fast to climb up the mast, but it is also faster to set-up than the most other mast climbers. The reason is the very stable mast. It allows a maximum anchor space of 18 meters – which is 30–50 % more than in rival products. All this contributes to greater labour efficiency and reduced set-up time, and of course to a safer work environment.

Long Lifetime – More Profit

SCANCLIMBER HAS LONG LASTING QUALITY

built-in to its mast climbing work platforms. It is in the structure, raw materials, automated manufacturing processes and finishing.

For example the mast sections are precision-welded of high quality steel by robots and when ready they are finished with hot-dip galvanisation.





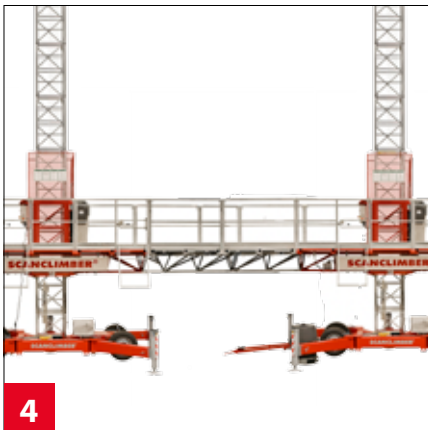
1



2



3



4



5



6

Details

Safety Brake

1 A **MECHANICAL**, centrifugal safety brake is a standard feature on all Scanclimber mast climbing work platforms. It improves user safety, increases operational reliability and reduces the risk of breakdown. The safety brake is protected from dust and dirt.

Chassis

2 **THE SC4000 IS AVAILABLE** with a wheel or mini chassis. An SC4000 with a wheel chassis can be moved around a work site with its own electric motor, or it can also be towed using the tow bar. The wheel chassis has swivelling, telescopic outriggers that can be adjusted in several positions to support the machine. The outriggers allow the machine, standing on the wheel chassis, to be erected without anchoring. With optimal outrigger positions the largest free-standing height is 15 m.

Extensions

3 **WITH ADJUSTABLE EXTENSIONS** the platform width can be extended by maximum 2.4 m. With the extensions the work behind or around different kinds of corners and gaps can be done easily and safely. The extensions are available in three sizes: 0–1.4 m, 0–2.0 m and 0–2.4 m.

Automatic Levelling System

4 **THE TWIN VERSION** of Kosmos comes with an automatic levelling system. This highly reliable system controls the platform drive precisely and ensures that the platform is always horizontally levelled.

Emergency Lowering System

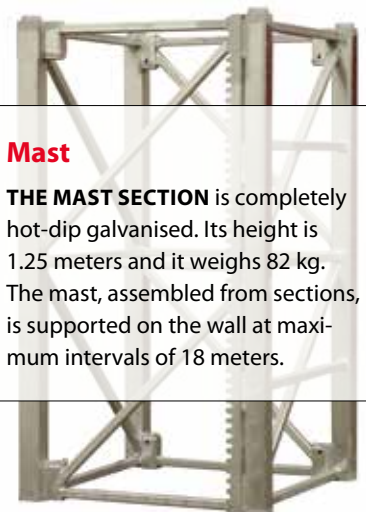
5 **KOSMOS CAN BE MANUALLY OPERATED** without power to lower the platform to the ground level. This is a safety feature and is incorporated to provide a means of returning the platform in the event of a power failure.

Anchor

6 **THE MAST IS ANCHORED** to the wall with strong and durable anchors. The standard anchor type for the SC4000 is a tube type fixed with couplers which allows a maximum anchor spacing of 12.5 m. It is easy to install with standard tools and fits various configurations. If longer anchor spaces are needed, the Scanclimber's Maxianchor can be used. Maxianchor is stronger and allows the anchor spacing to be increased up to 18 m.

Mast

THE MAST SECTION is completely hot-dip galvanised. Its height is 1.25 meters and it weighs 82 kg. The mast, assembled from sections, is supported on the wall at maximum intervals of 18 meters.



Technical Data



	Single mast SC4000	Twin mast SC4000
Maximum platform length / loading capacity	4.2 m / 2000 kg 7.4 m / 1700 kg 10.5 m / 1400 kg 12.5 m / 1200 kg 13.75 m / 900 kg	11.9 m / 4200 kg 15.1 m / 3800 kg 19.9 m / 3250 kg 23.1 m / 2775 kg 26.3 m / 2515 kg 31.4 m / 2065 kg
Maximum freestanding height		
- with extended outriggers on both sides	15 m	15 m
- with extended outriggers on one side	15 m	15 m
Maximum height with top anchor	25 m	25 m
Maximum height with mast anchored	100 m (higher mast by request)	100 m (higher mast by request)
Distance between anchors	18 m	18 m
Lifting speed	6.0 m / min	6.0 m / min
Mast section, hot-dip galvanised	1.25 m / 82 kg	1.25 m / 82 kg
Electric system		
- lifting motors	2x400 V/50 Hz/2.2 kW, 3 phase/32 A	4x400 V/50 Hz/2.2 kW, 3 phase/32 A
- drive motor	400 V/1.1 kW	2x400 V/1.1 kW
Safety devices		
- overspeed safety brake	◆	◆
- emergency stop and limit switches	◆	◆
- electromagnetic brake	◆	◆
- phase sequency relay	◆	◆
- residual current device	◆	◆



SCAN-RENT SDN BHD

C2-4F Jalan Ampang Utama 1/1, Off
 Jalan Ampang, 68000 Ampang,
 Selangor, Malaysia
 Tel: +603 4251 1386
 Fax: +603 4251 1534
 Email: info@scanrent.com.my
 Website: www.scanrent.com.my